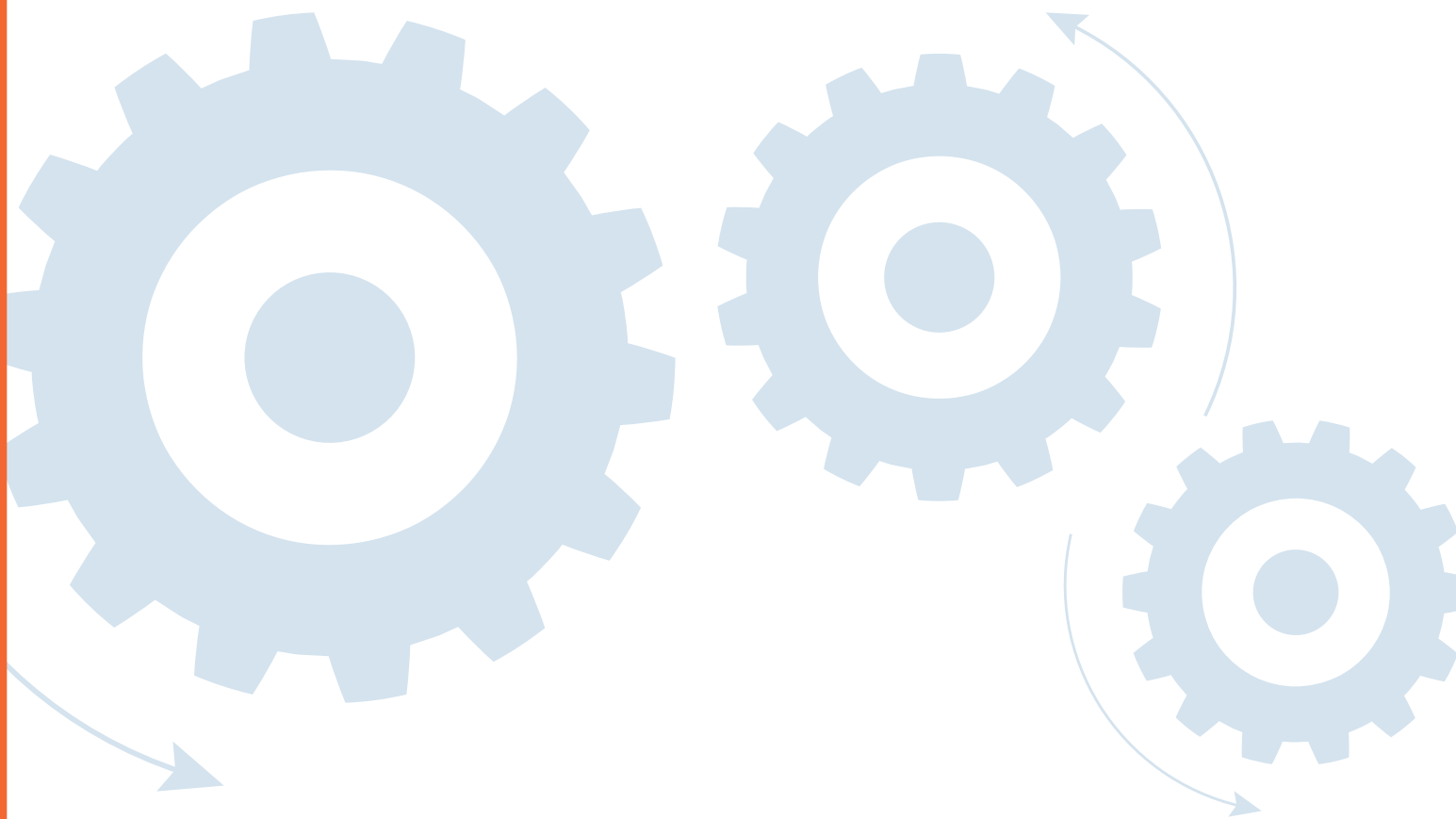


GSK Science in the Summer™

SIMPLE MACHINES



THIS BOOK BELONGS TO



Student Activity Book

GSK Science
in the Summer™

Simple Machines

Machines Can Be Fun



Next time you are at a playground, take a careful look around. You will probably see several simple machines *in disguise*. Can you name three (3) simple machines used at a playground?

Imagine you were just hired to design one (1) playground activity using at least three (3) simple machines. Which ones would you choose and how would you use them?

Machine #1 _____

How would you use it? _____

Machine #2 _____

How would you use it? _____

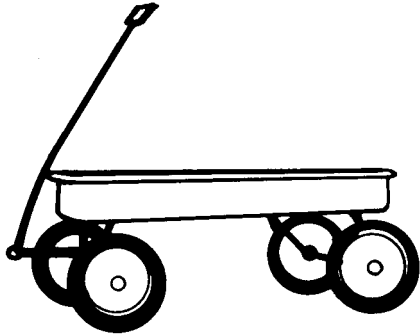
Machine #3 _____

How would you use it? _____

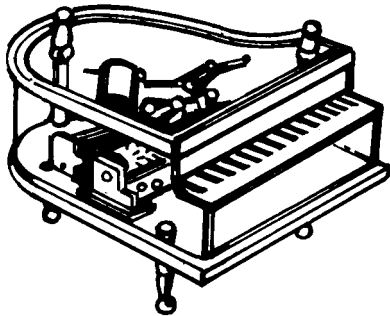
Draw a picture of your playground activity. Be sure to label each of your three (3) machines.

Machines and Toys

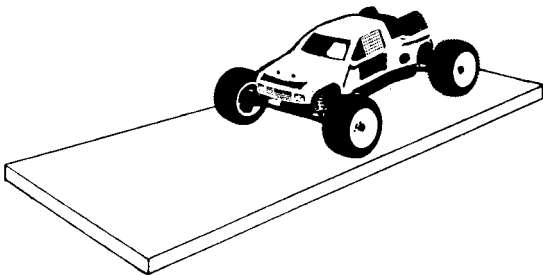
Many toys are made from simple machines. A skateboard, for instance, uses an inclined plane to stand on, and uses wheels and axles to move. Can you name the simple machines used to make these toys?



Simple Machines Used:



Simple Machines Used:



Simple Machines Used:

GSK Science in the Summer™

GSK
5 Crescent Drive
Philadelphia, PA 19112

© GlaxoSmithKline, 2011